

# HTCN INSTALLATION INSTRUCTIONS OF POWER LINKING INSIDE

## B14MA22-4 Pre-wired SWITCH BOX (32A/415V~ 3P+N+E)

Assemblies for constructions sites, Complies with EN 61439-4

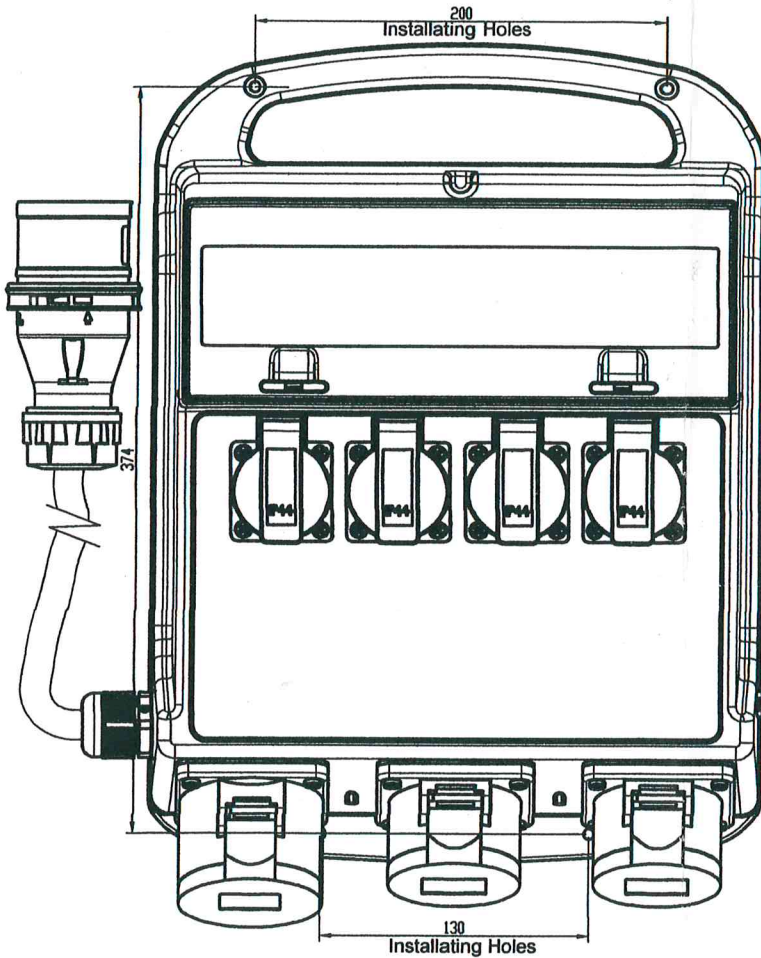


Figure 1 the construction of B14MA22-4 distribution box

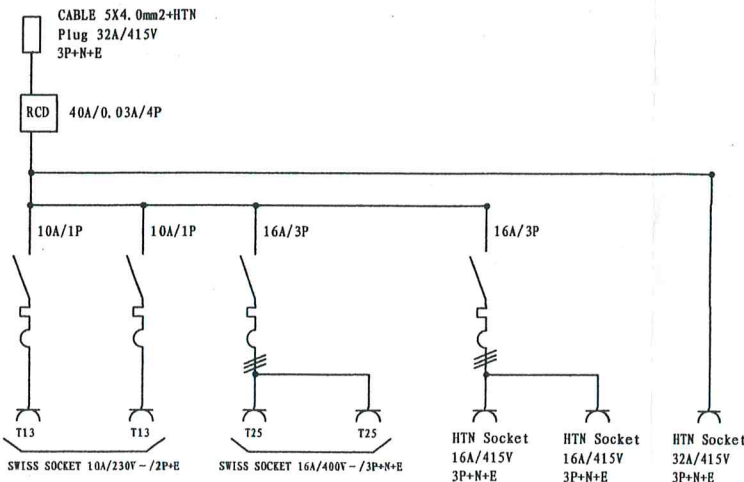


Figure 2 B14MA22-4 assembly configure of electrical principle

### Characteristic parameter

- 1 The assemblies are suitable for use when the ambient temperature is normally within the range of  $-5^{\circ}\text{C}$  to  $+40^{\circ}\text{C}$ . And the ambient average temperature is not exceeding  $+35^{\circ}\text{C}$  within 24 hours.
- 2 The assemblies are suitable for use in the ambient with polluting degree 3.
- 3 The assemblies are suitable for use in the ambient with altitude not exceeding 2000m.
- 4 Rated operating voltage of the assemblies is single phase 220/230/240V a.c, three phases 380/400/415V a.c; the Max rated current not exceeding 32A.
- 5 The protection degree is IP44. The assembly shall be installed in the position where is safe, dry, and easy for operation and minimizing damage to the human body and the device.

### Construction and installation

- 1 Assemblies construction size and installation is as following figure 1:
- 2 Construction of the assemblies and main technical requirements
  - 2.1 B14MA22-4 assemblies shown as figure 1 is one of portable distribution box with a handle. before mounting, drill four diameter 5-6mm holes on the wall and then tightening the assembly with four screws.
  - 2.2 The assemblies are complied with IEC 61439-1, IEC61439-4 and also according to GB7251.1, GB7251.4.

### Warranty

- 1 During operation, users must read the instruction carefully to avoid any damage to human body and accident of device operating, specially the shock hazard to human body!
- 2 Before installing or servicing, must cut off the power link and pull off all the plugs!
- 3 The assemblies must be serviced by the technician with professional certificate.
- 4 When device links with the assembly, the operating current of the device must no exceeding the rated operating current of the power in on the MCB or RCD of the assembly to avoid the total current of the device exceed the input plug and switches rated current result in exceptional temperature rising of the device.
- 5 The operating current and voltage of the loading device linking with output socket on the assembly shall not exceed to the rated value of the socket and the relative MCB. Meanwhile, the circuit of loading device shall have separate control switch. Do not switch on or cut off the power of the loading device by inserting or pull off the plug.
- 6 Shall cut off the control switch, or cut off bus-switch and sub-switch before linking the circuit of the loading device, Or shall not pull out the input plug before cut off all switches of the assembly.
- 7 The user can not use the assembly with reversal the power input and the power output of the assembly. In other words, do not insert other live plug into the output socket on the assembly.